

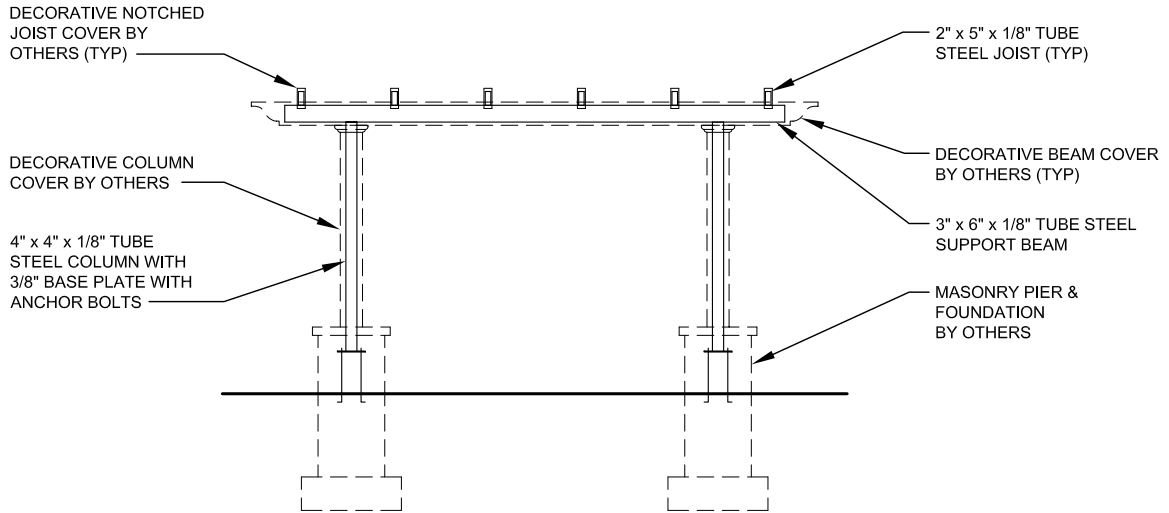
Steelworx Entrance Arbor, 5' x 17'

Steel: All structural members are ASTM A-500 U.S. grade B steel. Welded connection plates shall be ASTM A-36 hot rolled steel. Standard column dimensions shall be 4" x 4" x 1/8" tubular steel welded to 3/8" base plate with anchor bolts. Main support beams are 3" x 6" x 1/8" and joists are 2" x 5" x 1/8". All steel framework shall be hot-dipped galvanized unless requested otherwise. All steel connections to be bolted or screwed in place on-site.

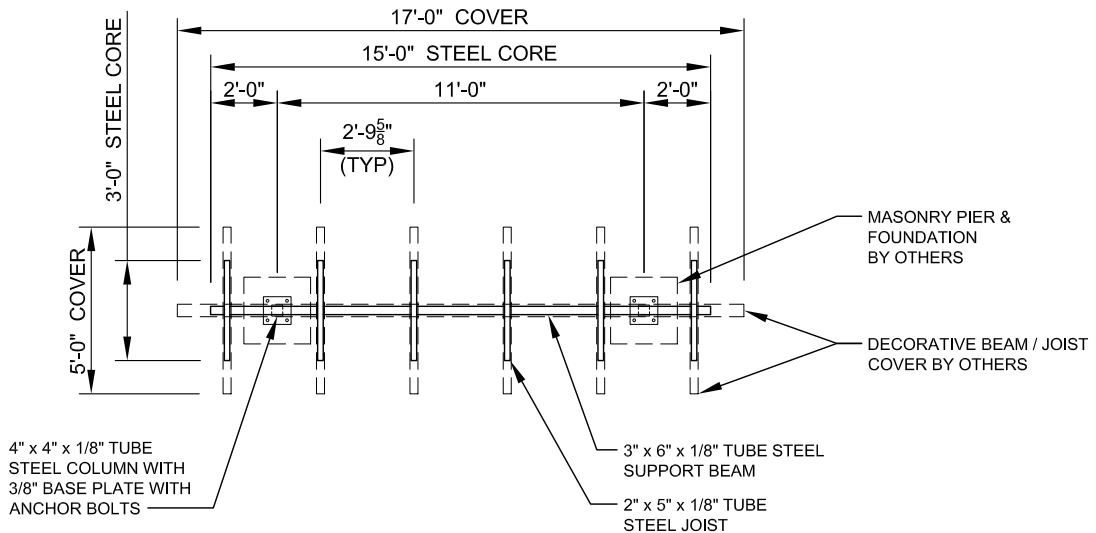
Hardware: All structural hardware provided and to be A-325 or B7 as required.

Shop Drawing: The fabricator shall furnish a complete set of installation drawings.

Not Included: Concrete or masonry work of any kind, decorative covers, unloading of product and installation.



ELEVATION
SCALE: NTS



FRAMING PLAN
SCALE: NTS

NOTE: DIMENSIONS ARE PRELIMINARY AND ARE SUBJECT TO CHANGE UPON DECORATIVE COVER COORDINATION.



11800 East 9 Mile Road
Warren, MI 48089
Office: (586) 486-1088
Fax: (586) 754-9130
Toll Free: (800) 657-6118
Email: info@coverworx.net
www.CoverWorx.net

Steelworx Entrance Arbor - 5' x 17'

Student Sanctuary
Union City High School & Athletic Complex
Union City, New Jersey