

**Model: Steelworx Custom Trellis, 8' x 11'**  
**Model # T-0811-SW-C**

**Manufacturing Mission:** To provide all prefabricated components and installation instructions for a free standing bolt together, tubular steel constructed kit.

**Design Criteria:** Structure is typically designed for a 25 lb live load and a 90 mph wind load capacity, but can be designed based on specific site requirements upon request. All structural members are ASTM A-500 U.S. grade B steel. Welded connection plates shall be ASTM A-36 hot rolled steel. All welding performed to latest AWS standards by ASTM Certified welders and provided in accordance to same.

**Tubular Steel Columns and Beams:** Columns shall be 6" x 6" x 3/16" tubular steel welded to 5/8" base plates. (footing design provided separately). Standard header beam dimensions shall be 8" x 2" x 3/16" and lattice shall be 4" x 2" 1/8". Economy Version (EV) of this shelter model is also available.

**Roofing:** 24 Ga. pre-cut steel panels with Kynar 500 finish in a variety of colors with white underside. Standard roof slope is a 2/12 pitch. Attached to structural framing with exposed engineered strength self tapping screws. Also available with translucent panels.

**Frame Finish:** All steel framework will receive a corrosion protective TGIC Polyester powder coat, electro-statically applied and cured at 400°F. A large selection of standard colors are available.

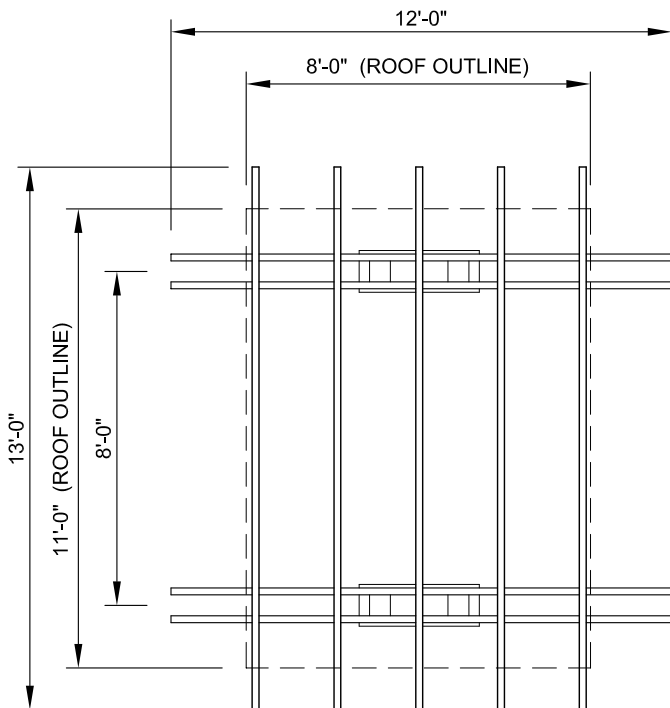
**Foundation:** All columns need to be anchored to concrete footings. Columns can be surface mounted with anchor bolts at or below finish slab elevation or they can be embedded directly into the footing. Optional base plate covers are available at an additional cost.

**Hardware:** All structural hardware and roofing fasteners shall be provided.

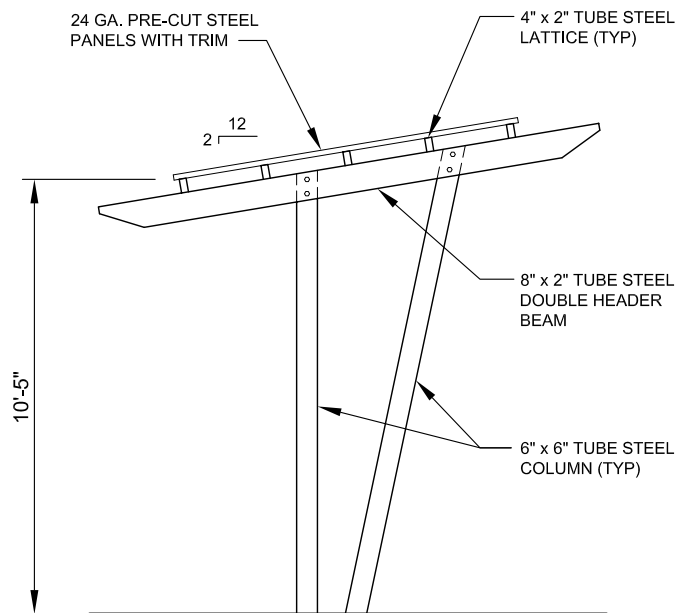
**Shop Drawing:** The fabricator shall furnish a complete set of installation drawings.

**Not Included:** Concrete work of any kind, unloading of product and installation.

**Additional Options:** Flexibility of Design, variety of colors, columns style variations and decorative tube end styles.



**FRAMING PLAN**  
SCALE: NTS



**SIDE ELEVATION**  
SCALE: NTS



11800 East 9 Mile Road  
 Warren, MI 48089  
 Office: (586) 486-1088  
 Fax: (586) 754-9130  
 Toll Free: (800) 657-6118  
 Email: info@coverworx.net  
 www.CoverWorx.net

**Steelworx Custom Trellis - 8' x 11'**

**Model: T-0811-SW-C**

**DESIGN SPECIFICATIONS**