

Model: Steelworx Double Radius Pergola, 22', Model # RPD-22-SW

Manufacturing Mission: To provide all prefabricated components and installation instructions for a free standing bolt together, tubular steel constructed kit.

Design Criteria: Structure is typically designed for a 25 lb live load and a 90 mph wind load capacity, but can be designed based on specific site requirements upon request. All structural members are ASTM A-500 U.S. grade B steel. Welded connection plates shall be ASTM A-36 hot rolled steel. All welding performed to latest AWS standards by ASTM Certified welders and provided in accordance to same.

Tubular Steel Columns and Beams: Standard column dimensions shall be 10" diameter tubular steel welded to 5/8" base plate (footing design provided separately). Standard header beam dimensions shall be 8" x 3" and rafter beams shall be 4" x 2". Economy Version (EV) of this shelter model for residential or less stringent design locations are available with smaller more economical member sizes.

Frame Finish: All steel framework will undergo a three step powder coat application that begins with welded raw steel being sand blasted to a white condition to eliminate contaminants and oils. Then a zinc-rich primer is applied and baked at 400°F, followed by a corrosion protective TGIC Polyester powder coat, electro-statically applied and cured at 400°F. A large selection of standard colors are available.

Foundation: All columns need to be anchored to concrete footings. Columns can be surface mounted with anchor bolts at or below finish slab elevation or they can be embedded directly into the footing. Optional base plate covers are available at an additional cost.

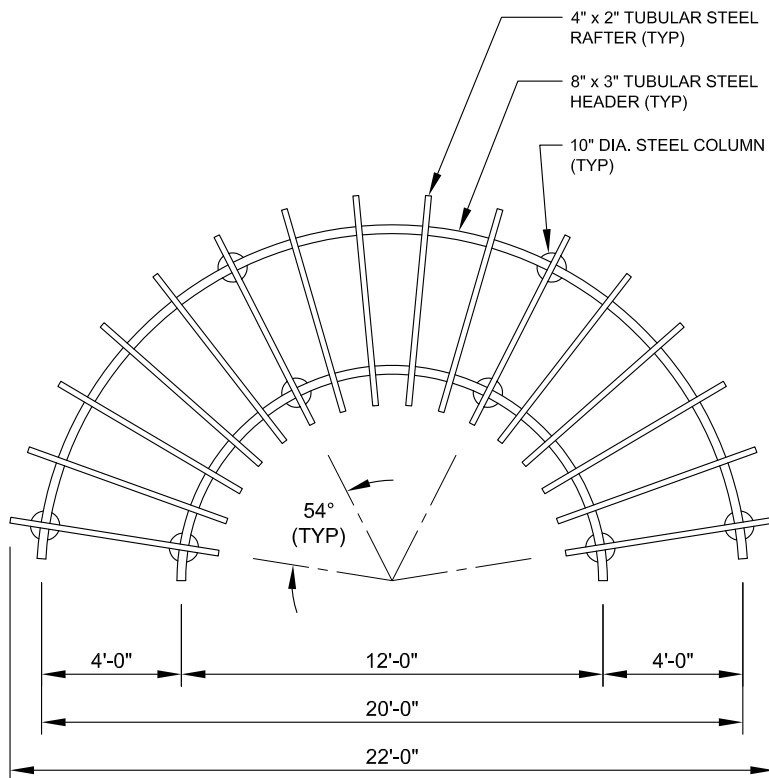
Hardware: All structural hardware provided and to be A-325.

Shop Drawing: The fabricator shall furnish a complete set of installation drawings.

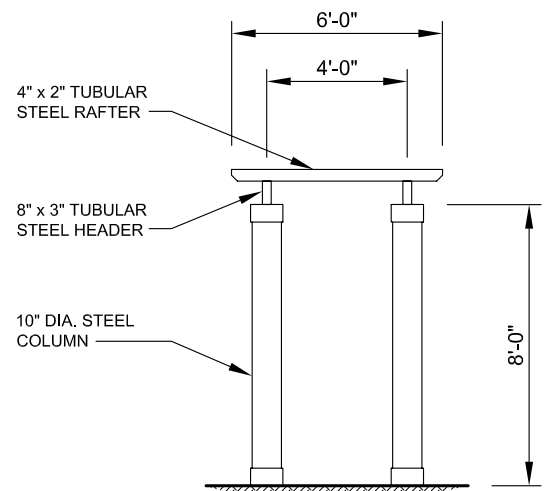
Not Included: Concrete work of any kind, unloading of product and installation.

Additional Options:

- Flexibility of Design
- Variety of Colors
- Column Style Variations
- Decorative End Styles



FRAMING PLAN
SCALE: NTS



CROSS SECTION
SCALE: NTS



11800 East 9 Mile Road
Warren, MI 48089
Office: (586) 486-1088
Fax: (586) 754-9130
Toll Free: (800) 657-6118
Email: info@coverworx.net
www.CoverWorx.net

Steelworx Double Radius Pergola - 22'

Model: RPD-22-SW

DESIGN SPECIFICATIONS