

Model: Steelworx Hip Shelter, 20' x 40'
Model # HPVT-2040-SW

Manufacturing Mission: To provide all prefabricated components and installation instructions for a 20' wide (measured from eave to eave) by 40' long free standing bolt together, tubular steel constructed shelter kit.

Design Criteria: Structure is typically designed for a 30 lb live load and a 100 mph wind load capacity. All structural members are ASTM A-500 U.S. grade B steel. Welded connection plates shall be ASTM A-36 hot rolled steel. All welding performed to latest AWS standards by ASTM Certified welders and provided in accordance to same.

Tubular Steel Columns and Beams: Standard column dimensions shall be 5" x 5" x 3/16" tubular steel welded to 5/8" base plate (footing design provided separately). Interior support beams are between 5" x 5" x 1/8" and 5" x 7" x 3/16". All framing connections are done using bolts within concealed access openings. Economy Version (EV) of this shelter model for residential or less stringent design locations are available with smaller more economical member sizes.

Roofing: 24 Ga. pre-cut stel panels with Kynar 500 finish in a variety of colors with white underside, 20 year warranted. Standard roof slope is a 4/12 pitch with a eave height of 8'-0". Also available with 6/12 or 8/12 pitch as a single or double pitch roof. Attached to structural framing with engineered strength self tapping screws.

Frame Finish: All steel framework will undergo a three step powder coat application that begins with welded raw steel being sand blasted to a white condition to eliminate contaminates and oils. Then a zinc-rich primer is applied and baked at 400°F, followed by a corrosion protective TGIC Polyester powder coat, electro-statically applied and cured at 400°F. A large selection of standard colors are available.

Foundation: All columns need to be anchored to concrete footings (typically 3' x 3' x 5' deep). Two types of columns are available. Column type #1 is surface mounted on footings using anchor bolts provided, either below or flush with the finished slab (by others) with optional base plate covers. Column type #2 is embedded directly into the footing.

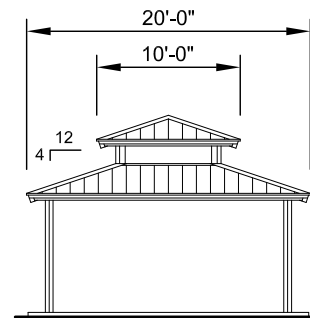
Hardware: All structural hardware provided and to be A-325 or B7 as required.

Shop Drawing: The fabricator shall furnish a complete set of installation drawings.

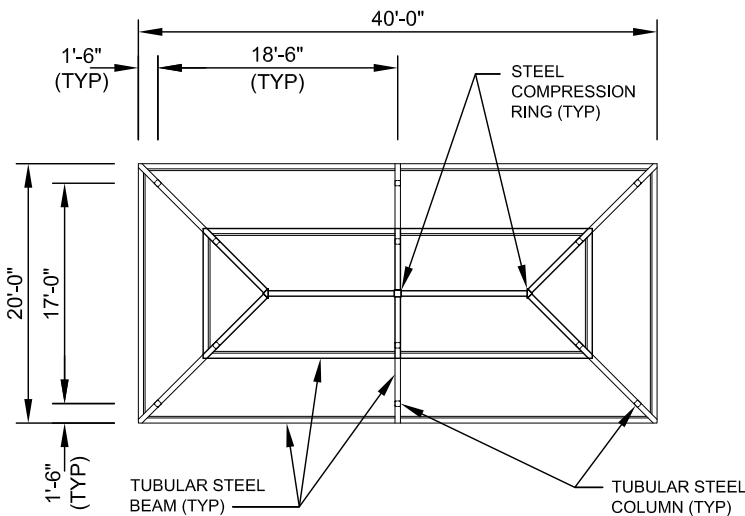
Not Included: Concrete work of any kind, unloading of product and installation.

Additional Options:

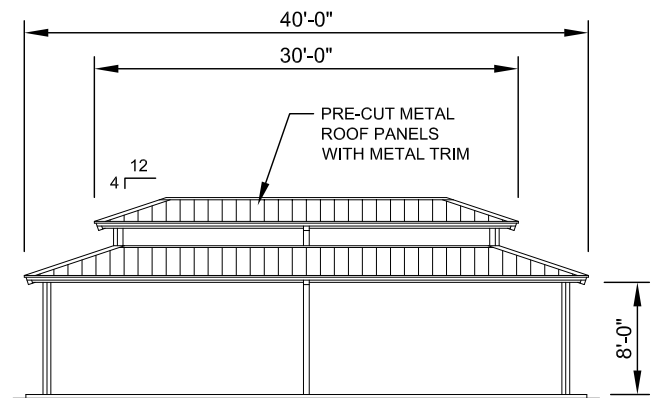
- Flexibility of Design
- Such as: Height and Pitch
- Additional Engineering
- Variety of Colors
- Decorative Railings, Lattice, Braces, Trim, etc.
- Column Style Variations
- Lexan Wind Screens
- Asphalt Shingles, Standing Seam, Cedar Shake, or Clay Tile Roofing.
- Site Furnishings and Accs.
- Solar Panels & Solar Lighting



FRONT ELEVATION
SCALE: NTS



FRAMING PLAN
SCALE: NTS



SIDE ELEVATION
SCALE: NTS

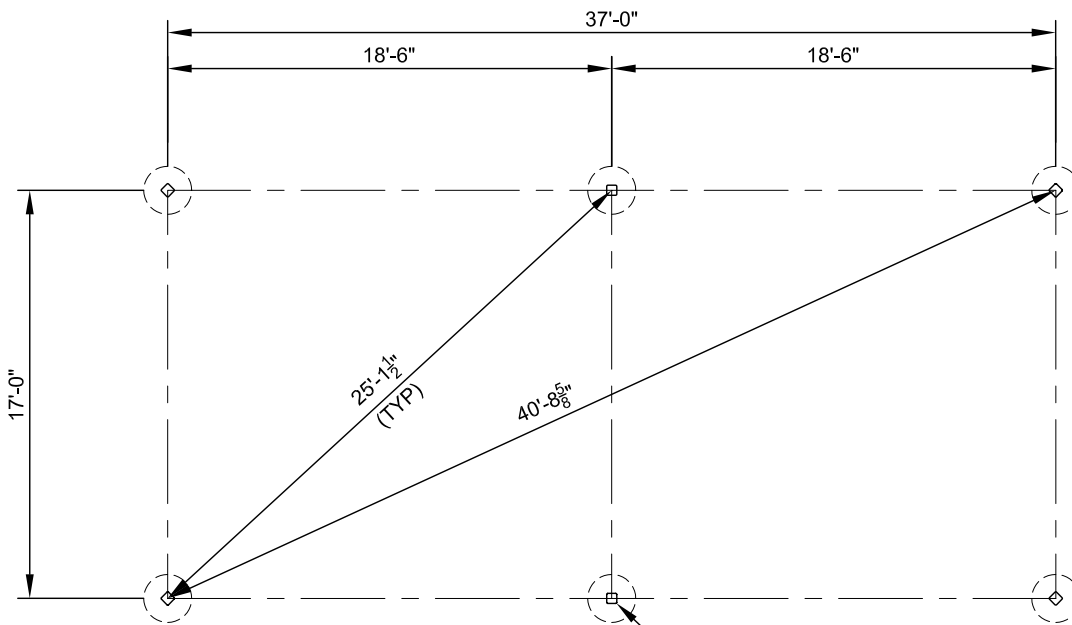


11800 East 9 Mile Road
 Warren, MI 48089
 Office: (586) 486-1088
 Fax: (586) 754-9130
 Toll Free: (800) 657-6118
 Email: info@coverworx.net
 www.CoverWorx.net

Steelworx Hip Shelter w/ Vented Top - 20' x 40'

Model: HPVT-2040-SW

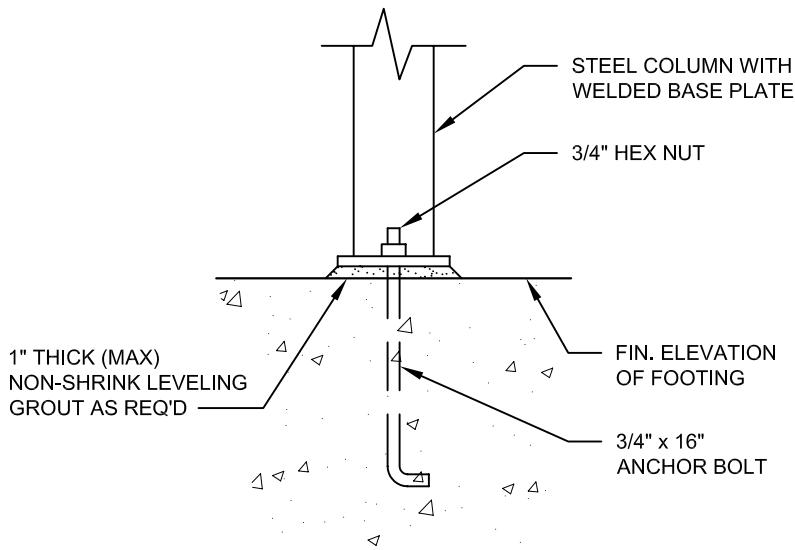
DESIGN SPECIFICATIONS



FOOTING LAYOUT

SCALE: 1/8" = 1'-0"

5" x 5" TUBULAR STEEL COLUMN
WITH BASE PLATE ANCHORED
INTO CONCRETE FOOTING (TYP)



ANCHOR BOLT DETAIL

SCALE: 1" = 1'-0"

****NOT FOR CONSTRUCTION****



11800 East 9 Mile Road
Warren, MI 48089
Office: (586) 486-1088
Fax: (586) 754-9130
Toll Free: (800) 657-6118
Email: info@coverworx.net
www.CoverWorx.net

Steelworx Hip Shelter w/ Vented Top - 20' x 40'

Model: HPVT-2040-SW

FOOTING ASSEMBLY

STEEL PLATE
COMPRESSION RING

3/4-10 x 1 1/2" A325 HEX HEAD
BOLT W/ 3/4" COMPRESSION
WASHER (TYP)

TUBULAR STEEL HIP
BEAM (VENTED TOP
ROOF SECTION)

3/4-10 x 1 1/2" A325
HEX HEAD BOLT W/
3/4" COMPRESSION
WASHER (TYP)

TUBULAR STEEL
HIP BEAM

TUBULAR STEEL
COLUMN

3/4"-10 HEX NUT W/
3/4" LOCK WASHER

16" x 3" x 3/4"Ø A307
ANCHOR BOLT

TOP OF CONCRETE
FOOTING (BY OTHERS)

**COLUMN & HIP BEAM
CONNECTION DETAIL (6 TOTAL)**

SCALE: 1/2" = 1'-0"

3/4-10 x 7 1/2" B7 THREADED
ROD WITH 3/4-10 A325 HEX
NUT AND 3/4" COMPRESSION
WASHER (AT EACH END OF
THREADED ROD) (TYP)

TUBULAR STEEL
INTERIOR BEAM

TUBULAR STEEL
HIP BEAM

TUBULAR STEEL
PERIMETER BEAM

**PERIMETER & INTERIOR BEAM
CONNECTION DETAIL (6 TOTAL)**

SCALE: 1/2" = 1'-0"

NOTES:

1. ALL STEEL MEMBERS SHALL BE FACTORY CUT, WELDED, PRE-DRILLED, CAPPED AND POWDER COATED.
2. ALL NECESSARY HARDWARE, INSTALLATION INSTRUCTIONS AND DRAWINGS SHALL BE PROVIDED.

****NOT FOR CONSTRUCTION****



11800 East 9 Mile Road
Warren, MI 48089
Office: (586) 486-1088
Fax: (586) 754-9130
Toll Free: (800) 657-6118
Email: info@coverworx.net
www.CoverWorx.net

Steelworx Hip Shelter w/ Vented Top - 20' x 40'

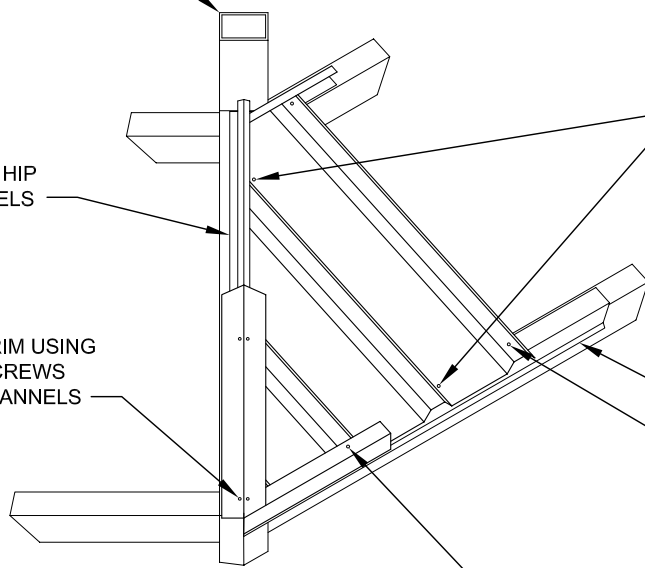
Model: HPVT-2040-SW

FRAMING ASSEMBLY

HIP BEAM AT VENTED TOP
ROOF SECTION (ROOFING
SIMILAR TO BELOW)

BACK-TO-BACK HIP
BEAM J CHANNELS

SECURE HIP TRIM USING
7/8" LAP/TEK SCREWS
THROUGH J CHANNELS



SECURE ROOF PANELS
TO STEEL BEAMS USING
1 1/4" IMPAX 45 SCREWS

EAVE TRIM

SECURE ADJACENT ROOF
PANELS TOGETHER BY USING
7/8" LAP/TEK SCREWS THROUGH
THEIR OVERLAPPING RIBS

SECURE ROOF PANEL
COVER TRIM USING 7/8"
LAP/TEK SCREWS THROUGH
EVERY ROOF PANEL RIB

METAL ROOF PANEL & TRIM DETAILS

SCALE: 1/2" = 1'-0"

NOTES:

1. STEEL RAILINGS, LATTICE AND CUPOLA LOUVERS SHALL BE PRE-FABRICATED TO BE SCREWED IN PLACE.

****NOT FOR CONSTRUCTION****



11800 East 9 Mile Road
Warren, MI 48089
Office: (586) 486-1088
Fax: (586) 754-9130
Toll Free: (800) 657-6118
Email: info@coverworx.net
www.CoverWorx.net

Steelworx Hip Shelter w/ Vented Top - 20' x 40'

Model: HPVT-2040-SW

ROOFING ASSEMBLY