

**Model: Steelworx Hip Shelter, 34' x 52'**  
**Model # HPVT-3452-SW**

**Manufacturing Mission:** To provide all prefabricated components and installation instructions for a 34' wide (measured from eave to eave) by 52' long free standing bolt together, tubular steel constructed shelter kit.

**Design Criteria:** Structure is typically designed for a 30 lb live load and a 100 mph wind load capacity. All structural members are ASTM A-500 U.S. grade B steel. Welded connection plates shall be ASTM A-36 hot rolled steel. All welding performed to latest AWS standards by ASTM Certified welders and provided in accordance to same.

**Tubular Steel Columns and Beams:** Standard column dimensions shall be 5" x 7" x 1/4" tubular steel welded to 5/8" base plate (footing design provided separately). Interior support beams are between 5" x 5" x 1/8" and 5" x 7" x 3/16". Economy Version (EV) of this shelter model for residential or less stringent design locations are available with smaller more economical member sizes.

**Roofing:** 24 Ga. pre-cut stel panels with Kynar 500 finish in a variety of colors with white underside, 20 year warranted. Standard roof slope is a 4/12 pitch with a eave height of 8'-0". Also available with 6/12 or 8/12 pitch as a single, vented top or double pitch roof. Attached to structural framing with engineered strength self tapping screws.

**Frame Finish:** All steel framework will undergo a three step powder coat application that begins with welded raw steel being sand blasted to a white condition to eliminate contaminates and oils. Then a zinc-rich primer is applied and baked at 400°F, followed by a corrosion protective TGIC Polyester powder coat, electro-statically applied and cured at 400°F. A large selection of standard colors are available.

**Foundation:** All columns need to be anchored to concrete footings (typically 3' x 3' x 5' deep). Two types of columns are available. Column type #1 is surface mounted on footings using anchor bolts provided, either below or flush with the finished slab (by others) with optional base plate covers. Column type #2 is embedded directly into the footing.

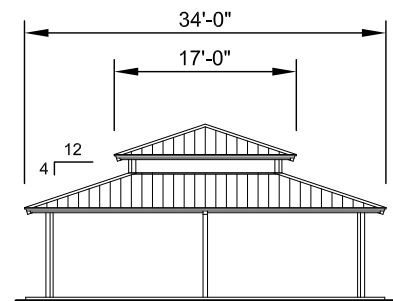
**Hardware:** All structural hardware provided and to be A-325 or B7 as required.

**Shop Drawing:** The fabricator shall furnish a complete set of installation drawings.

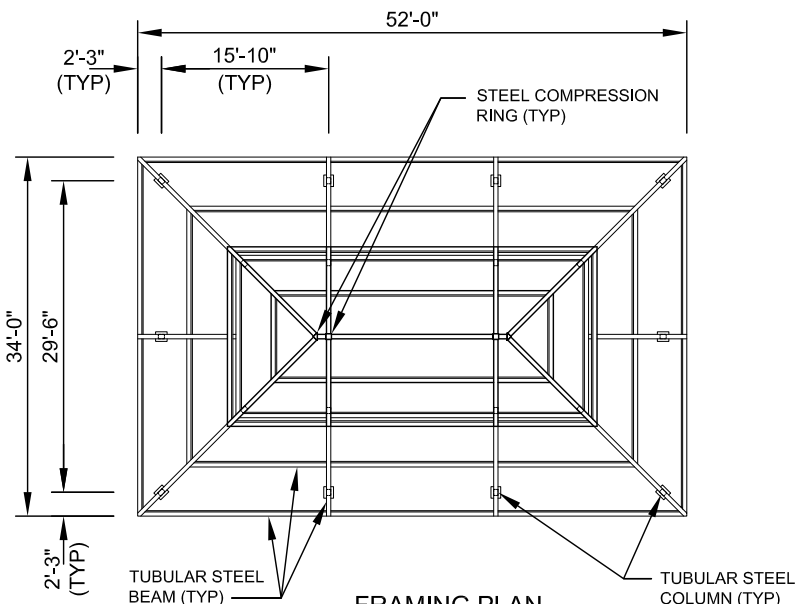
**Not Included:** Concrete work of any kind, unloading of product and installation.

**Additional Options:**

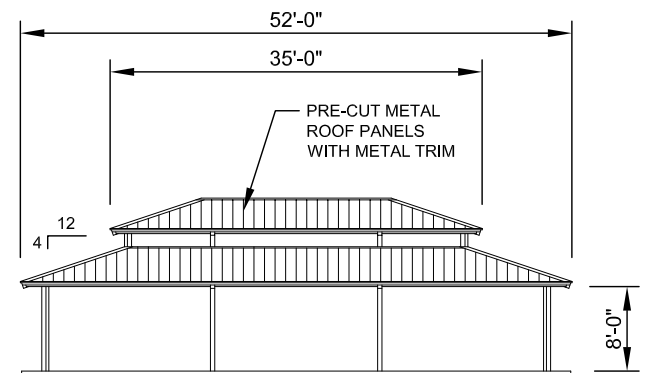
- Flexibility of Design  
Such as: Height and Pitch
- Additional Engineering
- Variety of Colors
- Decorative Railings,  
Lattice, Braces, Trim, etc.
- Column Style Variations
- Lexan Wind Screens
- Asphalt Shingles, Standing  
Seam, Cedar Shake, or Clay  
Tile Roofing.
- Site Furnishings and Accs.
- Solar Panels & Solar Lighting



**FRONT ELEVATION**  
SCALE: NTS



**FRAMING PLAN**  
SCALE: NTS



**SIDE ELEVATION**  
SCALE: NTS



11800 East 9 Mile Road  
 Warren, MI 48089  
 Office: (586) 486-1088  
 Fax: (586) 754-9130  
 Toll Free: (800) 657-6118  
 Email: info@coverworx.net  
 www.CoverWorx.net

**Steelworx Hip Shelter w/ Vented Top - 34' x 52'**

**Model: HPVT-3452-SW**

**DESIGN SPECIFICATIONS**