

Model: Steelworx Octagonal Gazebo, 12', Model # OCGZ-12-SW

Manufacturing Mission: To provide all prefabricated components and installation instructions for a 12' octagonal (measured from eave to eave) free standing bolt together, tubular steel constructed shelter kit.

Design Criteria: Structure is typically designed for a 30 lb live load and a 130 mph wind load capacity. All structural members are ASTM A-500 U.S. grade B steel. Welded connection plates shall be ASTM A-36 hot rolled steel. All welding performed to latest AWS standards by ASTM Certified welders and provided in accordance to same.

Tubular Steel Columns and Beams: Standard column dimensions shall be 10" diameter schedule 40 steel pipe welded to 5/8" base plate. Perimeter and interior support beams are 5" x 5" to 5" x 7" with a thickness between 1/8" and 3/16" based on location and customer criteria. Economy Version (EV) of this shelter model for residential or less stringent design locations are available with smaller more economical member sizes.

Roof: 29 Ga. pre-cut steel panels with Kynar 500 finish in a variety of colors on top of 2" x 6" (nominal) tongue & groove Southern Yellow Pine wood decking. Standard roof slope is 6:12 with an eave height of 8'-0".

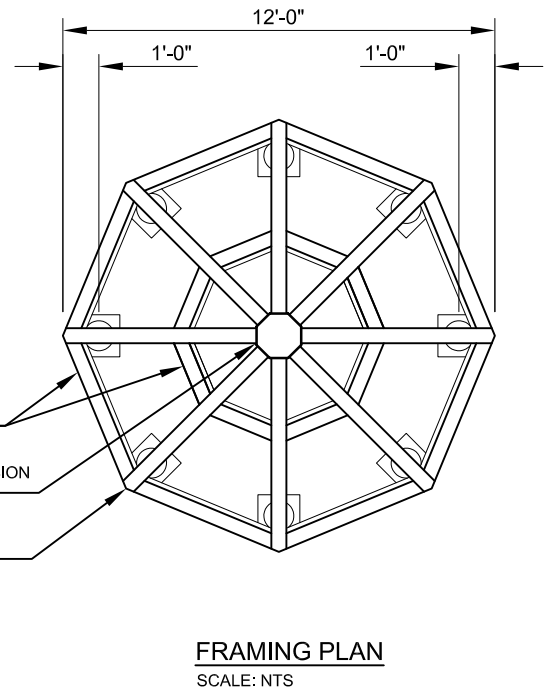
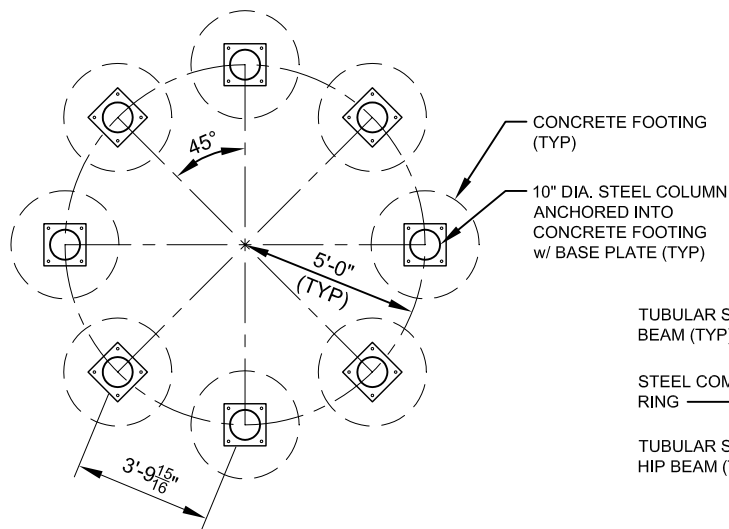
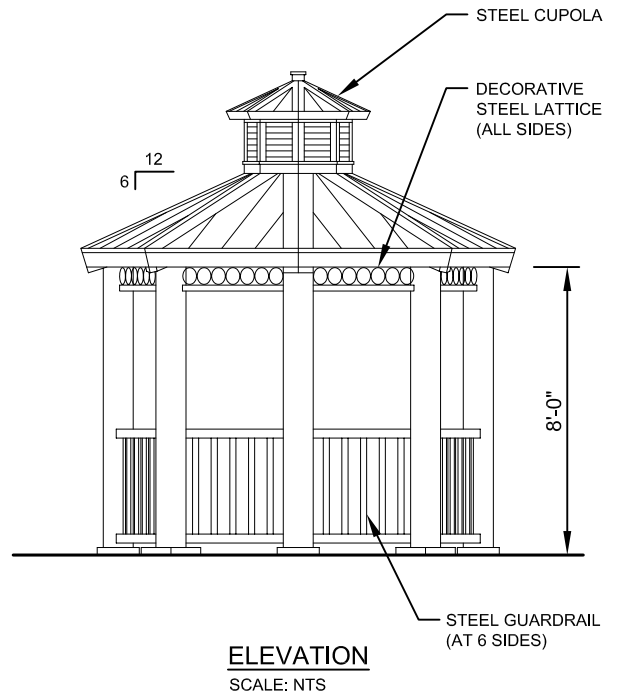
Frame Finish: All steel framework will undergo a three step powder coat application that begins with welded raw steel being sand blasted to a white condition to eliminate contaminants and oils. Then a zinc-rich primer is applied and baked at 400°F, followed by a corrosion protective TGIC Polyester powder coat, electro-statically applied and cured at 400°F. A large selection of standard colors are available.

Hardware: All structural hardware provided and to be A-325 or B7 as required.

Not Included: Concrete work of any kind, unloading of product and installation.

Additional Options:

- Flexibility of Design
Such as: Height and Pitch
- Additional Engineering
- Variety of Colors
- Decorative Railings, Lattice, Braces, Trim, etc.
- Column Style Variations
- Lexan Wind Screens
- Asphalt Shingles, Standing Seam, Cedar Shake, or Clay Tile Roofing.
- Site Furnishings and Accs.
- Solar Panels & Solar Lighting



11800 East 9 Mile Road
Warren, MI 48089
Office: (586) 759-5490
Fax: (586) 754-9130
Toll Free: (800) 657-6118
Email: info@coverworx.net
www.CoverWorx.net

Steelworx Octagonal Gazebo - 12'

Central Park, Florida

DESIGN SPECIFICATIONS