

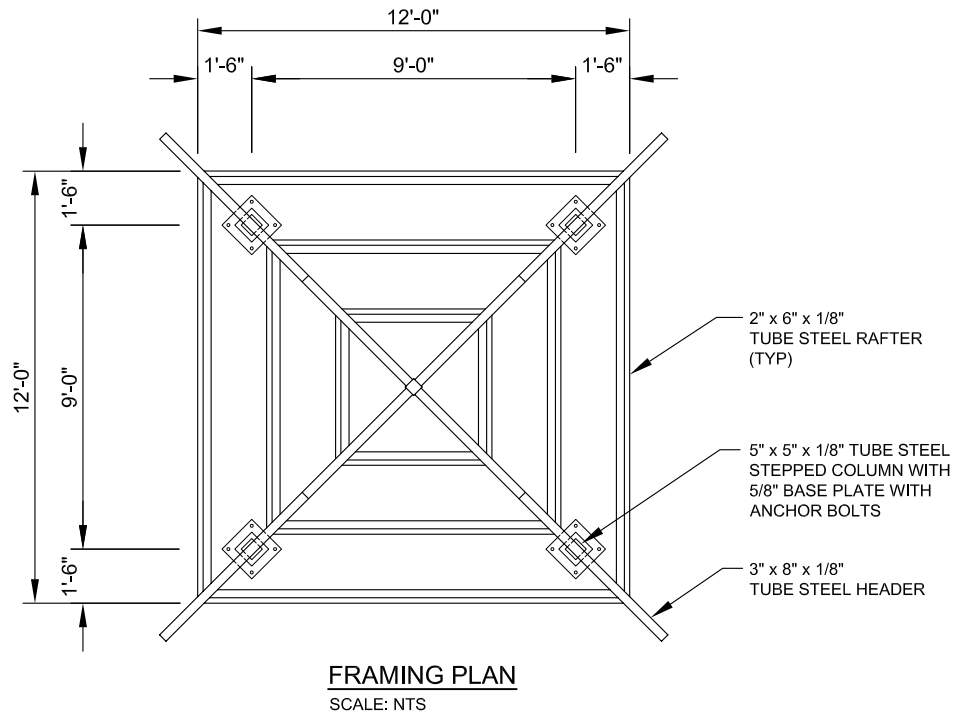
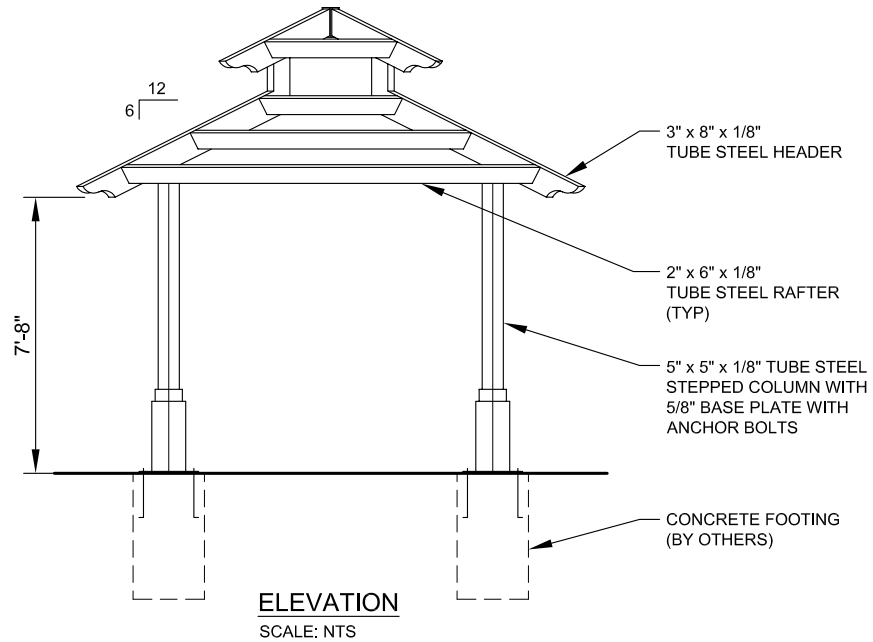
## Steelworx Trellis Square Gazebo, 12'

**Steel:** All structural members are ASTM A-500 U.S. grade B steel. Welded connection plates shall be ASTM A-36 hot rolled steel. Standard column dimensions shall be 5" x 5" x 1/8" tubular steel welded to 5/8" base plate with anchor bolts. Main support headers are 3" x 8" x 1/8" and rafters are 2" x 6" x 1/8". All steel framework shall be hot-dipped galvanized. All steel connections to be bolted or screwed in place on-site.

**Hardware:** All structural hardware provided and to be A-325 or B7 as required.

**Shop Drawing:** The fabricator shall furnish a complete set of installation drawings.

**Not Included:** Concrete or masonry work of any kind, decorative covers, unloading of product and installation.



11800 East 9 Mile Road  
Warren, MI 48089  
Office: (586) 486-1088  
Fax: (586) 754-9130  
Toll Free: (800) 657-6118  
Email: info@coverworx.net  
www.CoverWorx.net

Steelworx Trellis Square Gazebo - 12'

Del Mar Drive  
Miami, Florida