

**Model: Woodworx Winged Gable Shelter, 24' x 36'**  
**Model # WGA-2436-SW-C**

**Manufacturing Mission:** To provide all prefabricated components and installation instructions for a 24' wide (measured from eave to eave) by 36' long free standing bolt together, tubular steel constructed shelter kit.

**Design Criteria:** Structure is typically designed for a 25 lb live load and a 90 mph wind load capacity, but can be designed based on specific site requirements upon request. All structural members are ASTM A-500 U.S. grade B steel. Welded connection plates shall be ASTM A-36 hot rolled steel. All welding performed to latest AWS standards by ASTM Certified welders and provided in accordance to same.

**Glulam Columns & Beams:** Glulam members to be fabricated with #1 Grade, kiln-dried, with 15% moisture content, Southern Yellow Pine.

**Roof Deck:** 2" x 6" (nominal) #1 Grade, end matched, single tongue and groove with V-joint bottom face, kiln-dried, to an average of 15% moisture content, Southern Yellow Pine

**Roofing:** 29 Ga. pre-cut Meridian standing seam steel panels with Kynar 500 finish in a variety of colors with white underside.

**Steel Connection Plates:** Steel plates used for main framing connections shall be provided. Steel plates will receive a corrosion protective TGIC Polyester powder coat, electro-statically applied and cured at 400°F. A large selection of standard colors are available.

**Foundation:** All columns need to be anchored to concrete footings. Columns can be surface mounted with anchor bolts at or below finish slab elevation or they can be embedded directly into the footing. Optional base plate covers are available at an additional cost.

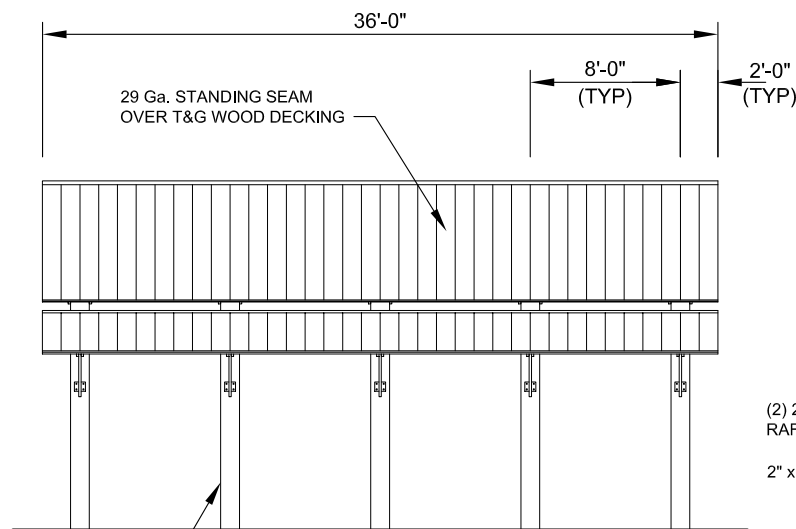
**Hardware:** All structural hardware and roofing fasteners shall be provided.

**Shop Drawing:** The fabricator shall furnish a complete set of installation drawings.

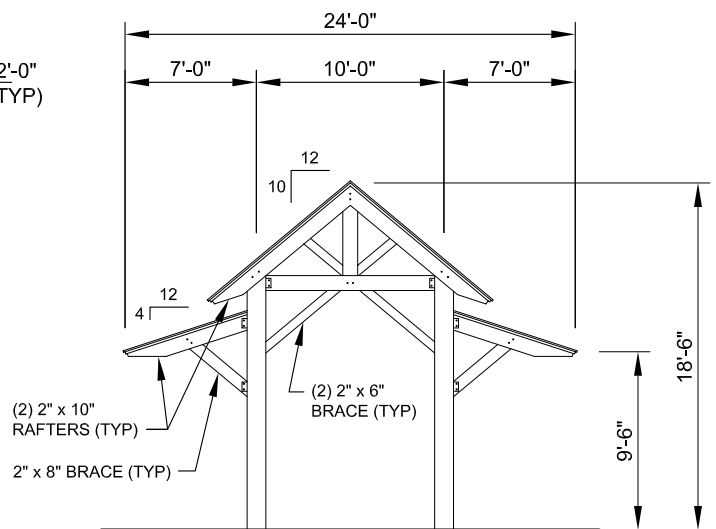
**Not Included:** Concrete work of any kind, unloading of product and installation.

**Additional Options:**

- Flexibility of Design
- Column Style Variations
- Such as: Height and Pitch
- Lexan Wind Screens
- Additional Engineering
- Asphalt Shingles, Profiled Steel Panels, Cedar Shake or Clay Tile Roofing
- Variety of Colors
- Composite Finished Ceiling
- Decorative Railings, Lattice, Braces, Trim, etc.
- Solar Panels & Solar Lighting
- Cupolas and Rooftop Accs.
- Site Furnishings and Accs.



**FRONT ELEVATION**  
SCALE: NTS



**SIDE ELEVATION**  
SCALE: NTS

Woodworx Winged Gable Shelter - 24' x 36'

Model: WGA-2436-WW-C

DESIGN SPECIFICATIONS



11800 East 9 Mile Road  
Warren, MI 48089  
Office: (586) 486-1088  
Fax: (586) 754-9130  
Toll Free: (800) 657-6118  
Email: info@coverworx.net  
www.CoverWorx.net